

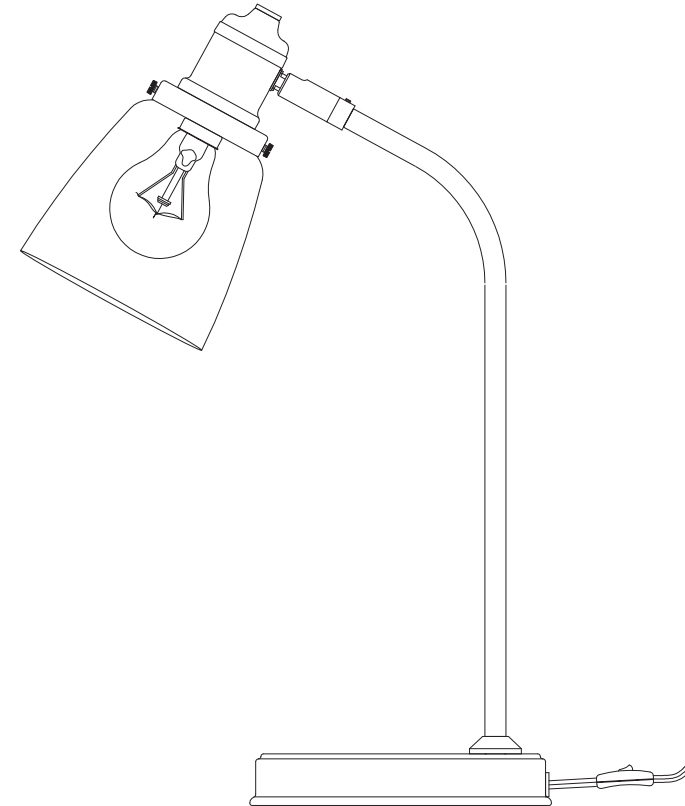
### Extra Information/Notes

1. Please keep these instructions available for future use
  2. We recommend cleaning with a soft dry cloth. Don't use abrasive materials to clean this product, as that may affect the finish and void the warranty
  3. Waste electrical products should not be disposed of with household waste.
- Please recycle where facilities exist. Check with your Local Authority or retailer for recycling advice

# Garden Trading®

## Hoxton Table Lamp Installation Instructions

Please read through these instructions and ensure they are kept for future reference.  
Please note, this fitting is not supplied with a bulb.  
Bulb recommended: 1 x E27, Max LED 10W



### Safety Information

1. This fitting should be fitted to a lighting supply with a protected 5-amp fuse or equivalent circuit breaker.
  2. Always be sure to use the correct type and wattage of bulb as indicated on the fitting (and stated above).
  3. Do not exceed the maximum wattage stated on the fitting.
  4. Using the incorrect bulb or wattage may cause damage to the light and therefore void the warranty.
  5. When changing the bulb, ensure the light is switched off and unplugged from the mains supply and allow the old bulb to cool before handling.
  6. The external flexible cable or cord of this luminaire cannot be replaced; if the cord is damaged, the luminaire shall be destroyed.
- Dispose of bulbs carefully.

#### Customer Services:

[www.gardentrading.co.uk](http://www.gardentrading.co.uk)

+44 (0)1993 845 559

[customerservices@gardentrading.co.uk](mailto:customerservices@gardentrading.co.uk)

Opening Hours: Monday - Friday: 8.30am - 5.30pm (Friday close at 5.00pm)

The Garden Trading Company Ltd, Carterton South Industrial Estate, Black Bourton Road, Carterton, Oxon, OX18 3EZ

## Garden Trading®

## Installation

- Please read through these instructions carefully before installation
- This light fitting is suitable for indoor use only

