

User Guide - FLWP4S

RF Control - 4 Zone Touch Dim Wall Panel



Features

- 4 Zone Touch panel compatible with both DMX512 (FLDC4Y-DMX) and RF (FLCT1S) receivers.
- Sensitive brightness adjustment touch slider.
- 2.4GHz wireless technology, control distance up to 30m.
- When used as an RF controller it can be Paired with multiple receivers.
- LED light indicator on the remote.
- Set and save several Scene modes

Technical Parameters

- Output signal: RF(2.4GHz) + DMX512
- Input Voltage: 85-265VDC
- Light Type: Single Colour
- Size: 86x86x35 mm
- Remote distance up to 30m within Free Range. Please allow for 12m within areas restricted by obstacles.

Pairing Guide

Pairing your Wall Panel with each 2.4G RF receiver

- Using the "Match Key"

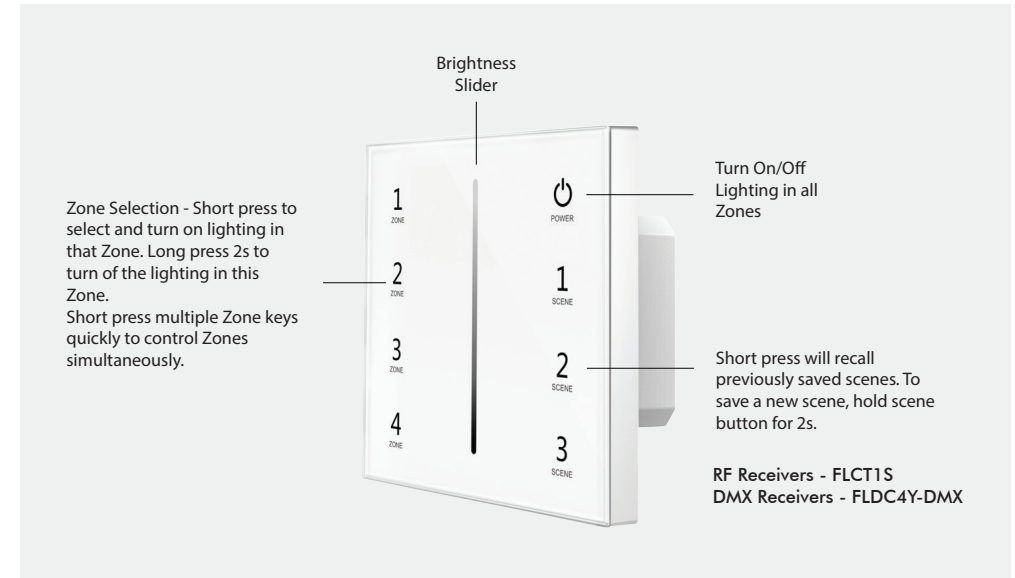
1. Match. Switch off receiver power, then switch on power again, short press zone key 3 times on the wall panel quickly within 5s after receiver power on, the link has been completed once the connected LED lights flash 3 times. Repeat this process to link further receivers to the wall panel.
2. To Delete a match: Switch off power to the receiver, then switch on power again, short press the zone key you are deleting 5 times on the remote within 5s after power on, the unlink has been completed once the connected LED lights flash 5 times.

- At Power Up

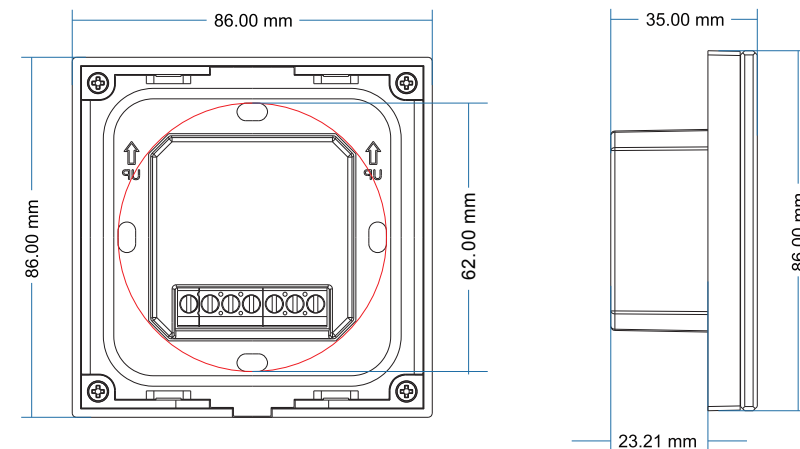
Match the controller with our receiver (Without using the Match Key)

1. Match Switch off receiver power, then switch on power again, short press zone key 3 times on the remote quickly within 5s after receiver power on, the link has been completed once the connected LED lights flash 3 times.
2. To Delete a match: Switch off power to the receiver, then switch on power again, short press the zone key you are deleting 5 times on the remote within 5s after power on, the unlink has been completed once the connected LED lights flash 5 times.

Key Functions

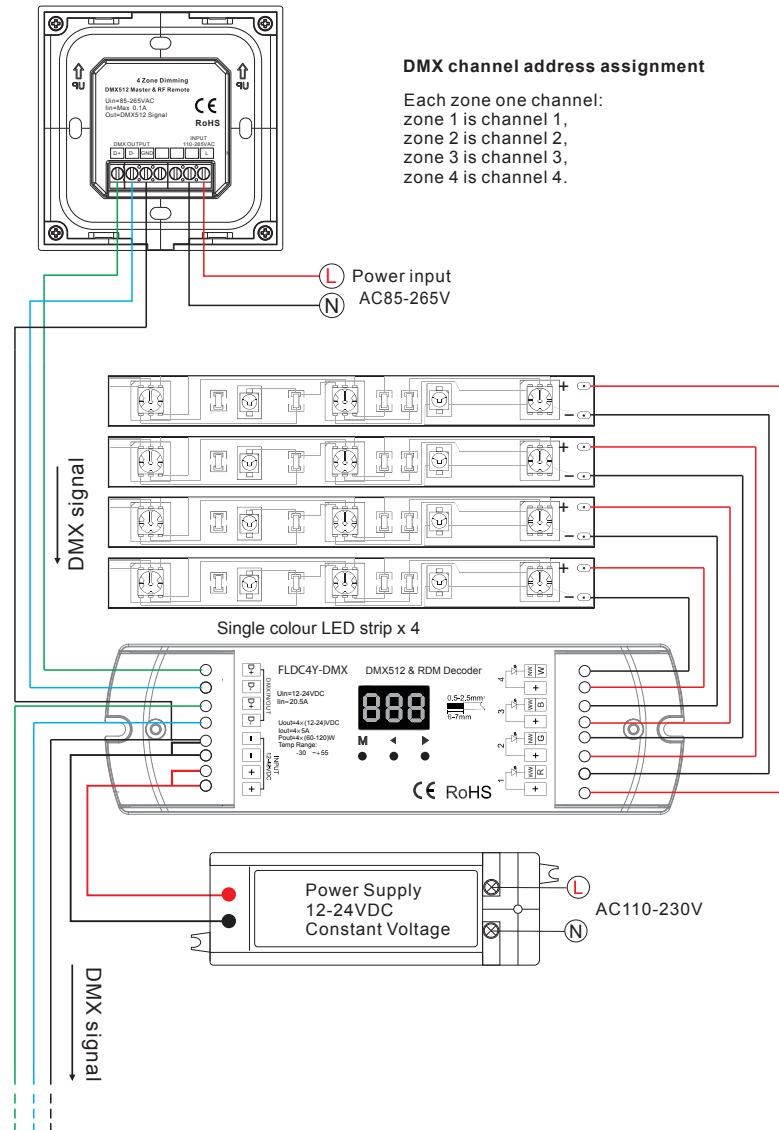


Dimensions

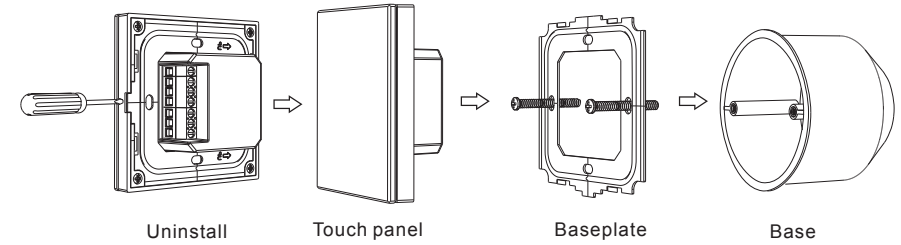


Wiring Diagram for DMX 512 Receiver

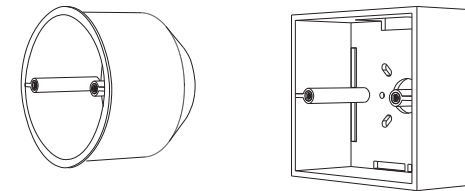
• FLWP4S Single colour panel



Installation Diagram



Typical base as below:



Safety Information

- The product shall be installed and serviced by a qualified person.
- The product is non-waterproof.
- Good heat dissipation will prolong the working life of the controller, Please ensure good ventilation.
- Please check if the output voltage of any power supplies used comply with the working voltage of the product.
- Ensure all wire connections and polarities are correct
- If a fault occurs please return the product to your supplier. Do not attempt to fix this product by yourself.