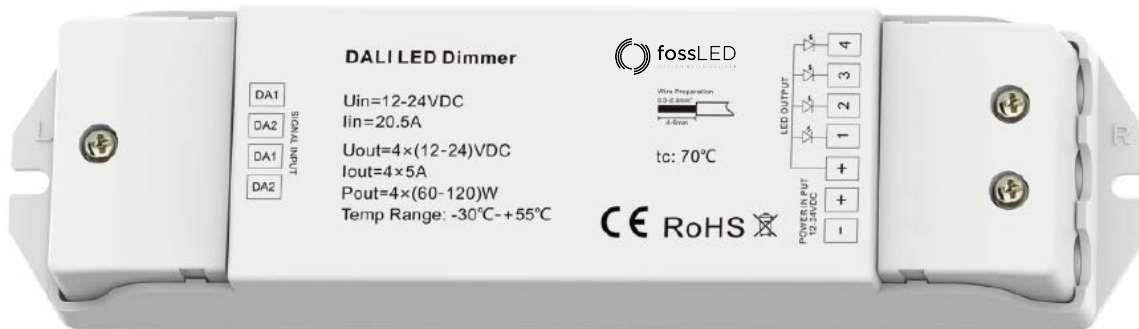


# 4 Channel Constant Voltage DALI LED Dimmer

Model No.: FLDC4Y-DALI

4 Address/4 Channel/Constant voltage/PMW dimming



CE RoHS

## Features

- 4 channel constant voltage DALI LED Dimmer, 5A per channel.
- 4 DALI addresses, 4 separate channels.
- In accordance with DALI standard protocol IEC 62386-102, IEC 62386-207 and in compliance with DALI products from other international brands.
- DALI address will be automatically assigned by the DALI master control.
- PWM digital dimming, standard DALI logarithmic dimming curve.

## Technical Parameters

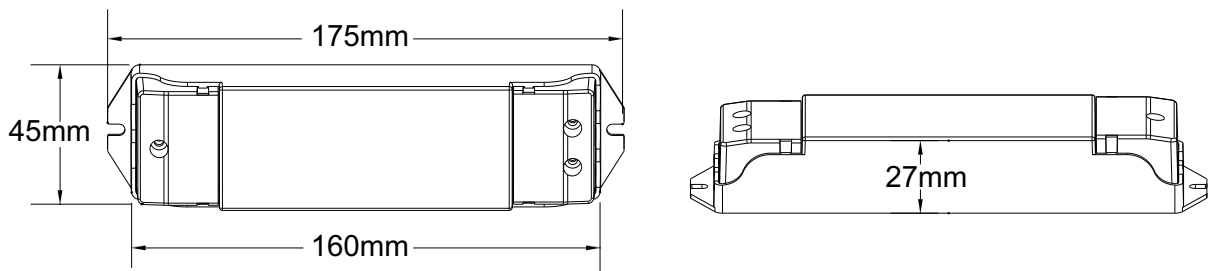
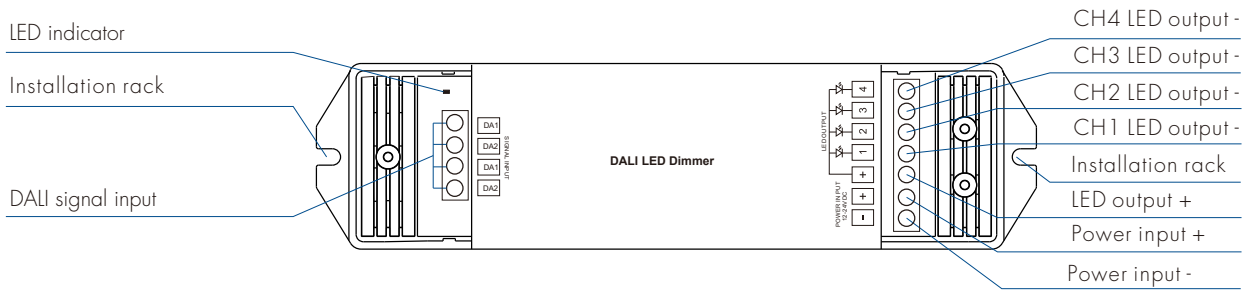
Input and Output	
Input voltage	12-24VDC
Input current	20.5A
Output voltage	12-24VDC
Output current	4CH,5A/CH
Output power	4 x (60-120)W
Output type	Constant voltage

Warranty and Protection	
Warranty	5 years
Protection	Reverse Polarity

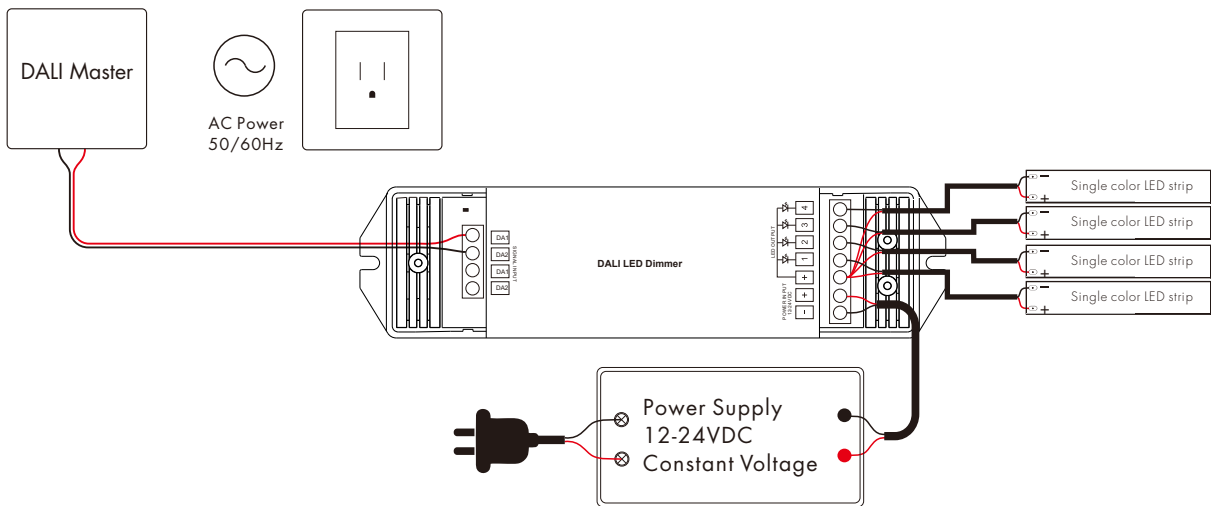
Dimming data	
Input signal	DALI
Dimming range	0-100%
Dimming curve	Logarithmic
PWM Frequency	500Hz

Environment	
Operation temperature	T <sub>a</sub> : -30 °C ~ +55 °C
Case temperature (Max.)	T <sub>c</sub> : +85 °C
IP rating	IP20

# Mechanical Structures and Installations



## Wiring Diagram



## DALI control

This product is designed with 4 DALI address inputs and 4 channel outputs, the DALI address is assigned by DALI Master controller automatically.

## Safety & Warnings

- DO NOT install with the power applied to device.
- DO NOT expose the device to moisture.