

User Guide - FLWP1T

RF / DMX Control - 1 Zone Tuneable Touch Wall Panel



Features



- Sensitive Tuneable White & Brightness Slider
- 2.4GHz wireless technology, control distance of up to 30m.
- LED light indicator on controller
- Set and save several Scene modes
- When used as an RF controller it can be Paired with multiple receivers.
- 1 Zone Touch panel compatible with fossLED FLDC4Y (RF) or FLCD5Z-WIFI (RF & WIFI) Receivers for Smart Control Integration

Technical Parameters

- Output signal: RF(2.4GHz)
- Input Voltage: 12 - 24VDC use LED Driver LEDD-IP1224
- Light Type: Tuneable White
- Size: 86x86x35 mm
- Remote distance up to 30m within Free Range. Please allow for 12m within areas restricted by obstacles.

Pairing Guide

Pairing your Wall Panel with each 2.4G RF receiver

- Using the "Match Key"

1. Match: Switch off receiver power, then switch on power again, short press zone key 3 times on the wall panel quickly within 5s after receiver power on, the link has been completed once the connected LED lights flash 3 times. Repeat this process to link further receivers to the wall panel.

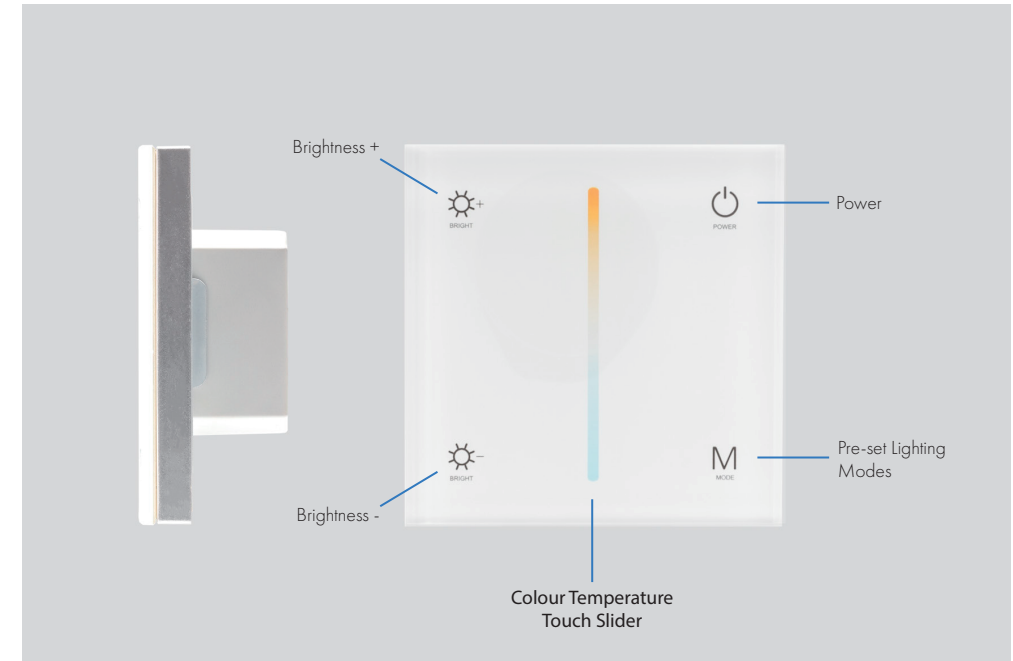
2. To Delete a match: Switch off power to the receiver, then switch-on power again, short press the zone key you are deleting 5 times on the remote within 5s after power on, the unlink has been completed once the connected LED lights flash 5 times.

- At Power Up

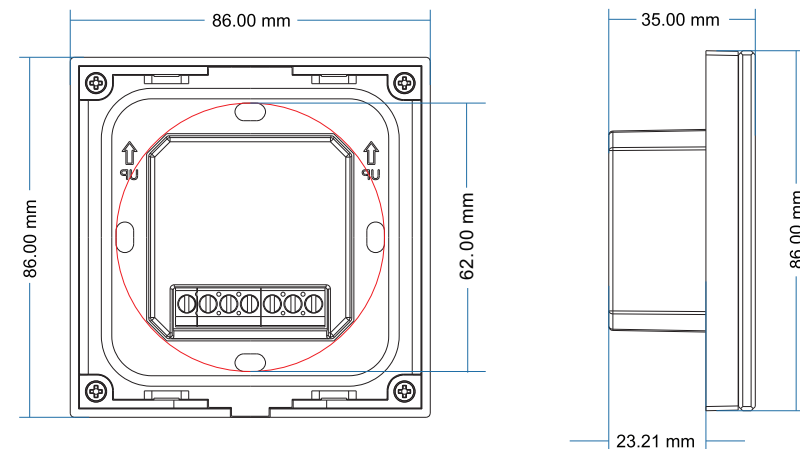
Match the controller with our receiver (Without using the Match Key)

- Match Switch off receiver power, then switch on power again, (Perform Twice) then
1. short press zone key 3 times on the remote quickly within 5s after receiver power on, the link has been completed once the connected LED lights flash 3 times.
 2. To Delete a match: Switch off power to the receiver, then switch on power again, short press the zone key you are deleting 5 times on the remote within 5s after power on, the unlink has been completed once the connected LED lights flash 5 times.

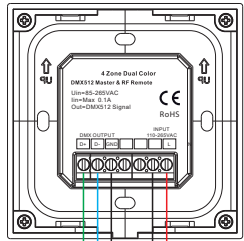
Key Functions



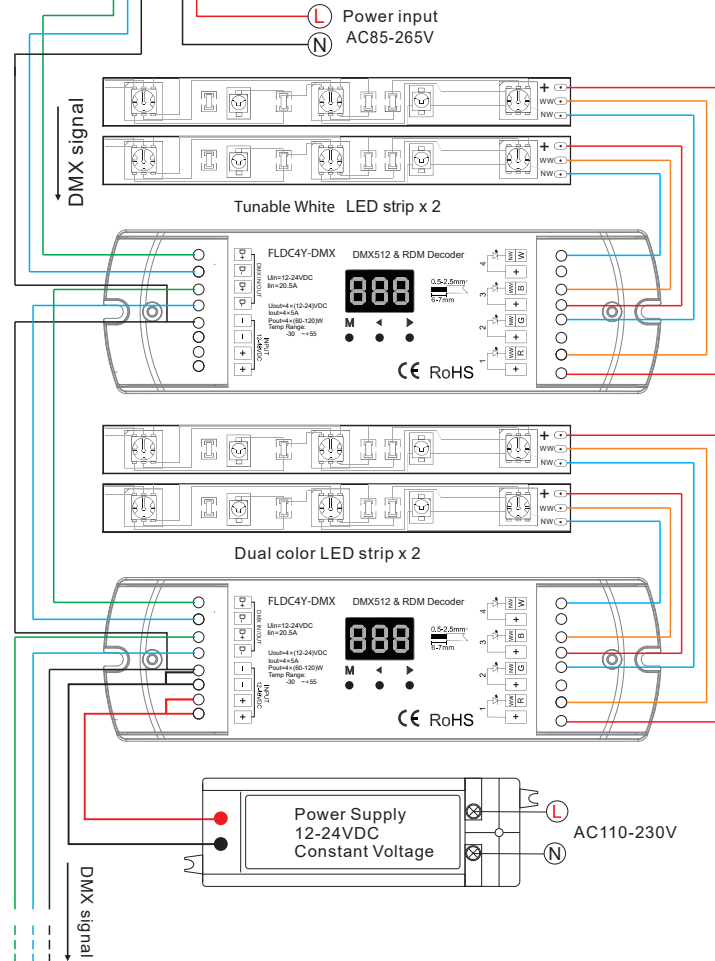
Dimensions



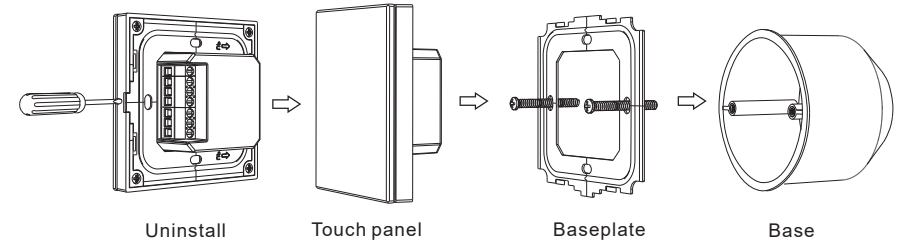
Wiring Diagram for DMX 512



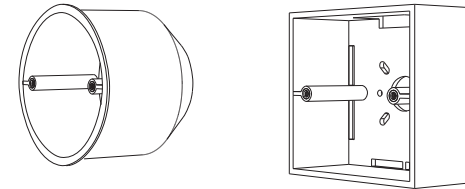
DMX channel address assignment
 Each zone two channel:
 zone 1 is channel 1 ~ 2,
 zone 2 is channel 3 ~ 4,
 channel 1,3,5,7 is WW,
 channel 2,4,6,8 is CW.



Installation Diagram



Typical base as below:



Safety Information

- The product must be installed and serviced by a qualified person.
- The product is non-waterproof.
- Good heat dissipation will prolong the working life of the controller, Please ensure good ventilation.
- Please check if the output voltage of any power supplies used comply with the working voltage of the product.
- Ensure all wire connections and polarities are correct
- If a fault occurs please return the product to your supplier. Do not attempt to fix this product by yourself.